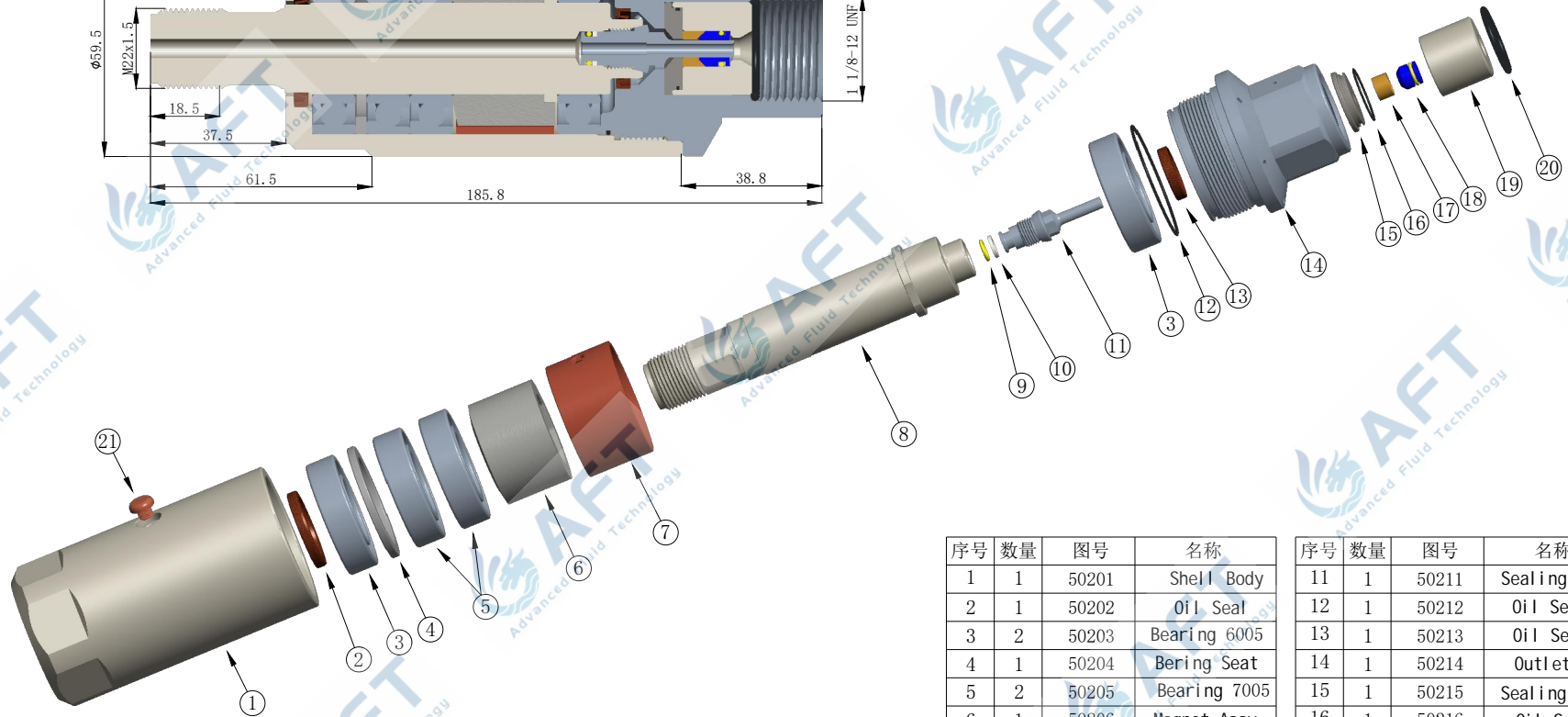
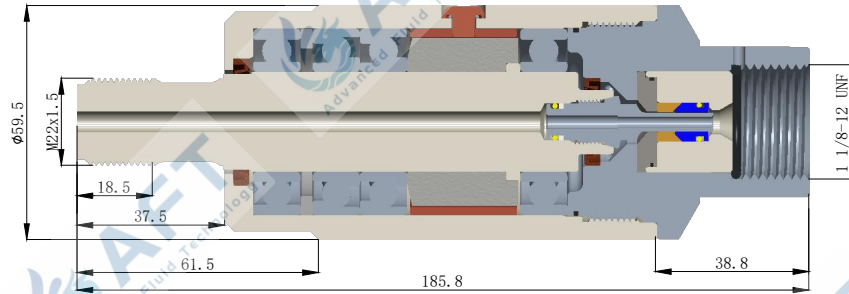




# 2800 Bar Rotary Swivel (Magnetic Break)



序号	数量	图号	名称
1	1	50201	Shell Body
2	1	50202	Oil Seal
3	2	50203	Bearing 6005
4	1	50204	Bearing Seat
5	2	50205	Bearing 7005
6	1	50206	Magnet Assy.
7	1	50207	Reducer Loop
8	1	50208	Swivel Shaft
9	2	50209	O-ring
10	1	50210	Seal Gasket

序号	数量	图号	名称
11	1	50211	Sealing Head
12	1	50212	Oil Seal
13	1	50213	Oil Seal
14	1	50214	Outlet Body
15	1	50215	Sealing Seat
16	1	50216	Oil Seal
17	1	50217	Bushing
18	1	50218	HP Seal
19	1	50219	Sleeve
20	1	50220	Oil Seal
21	1	50221	Screw